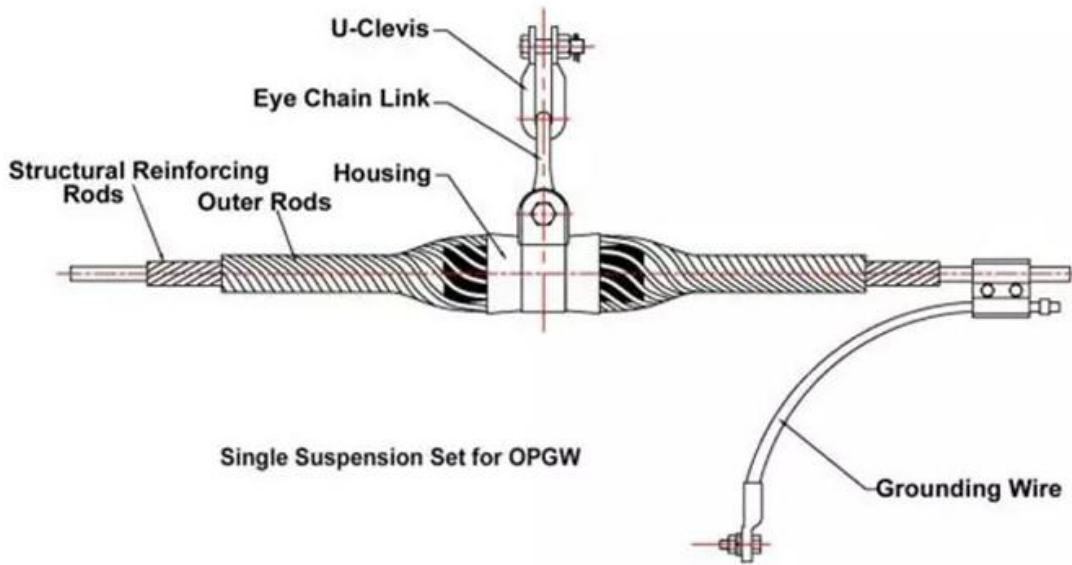


Overview

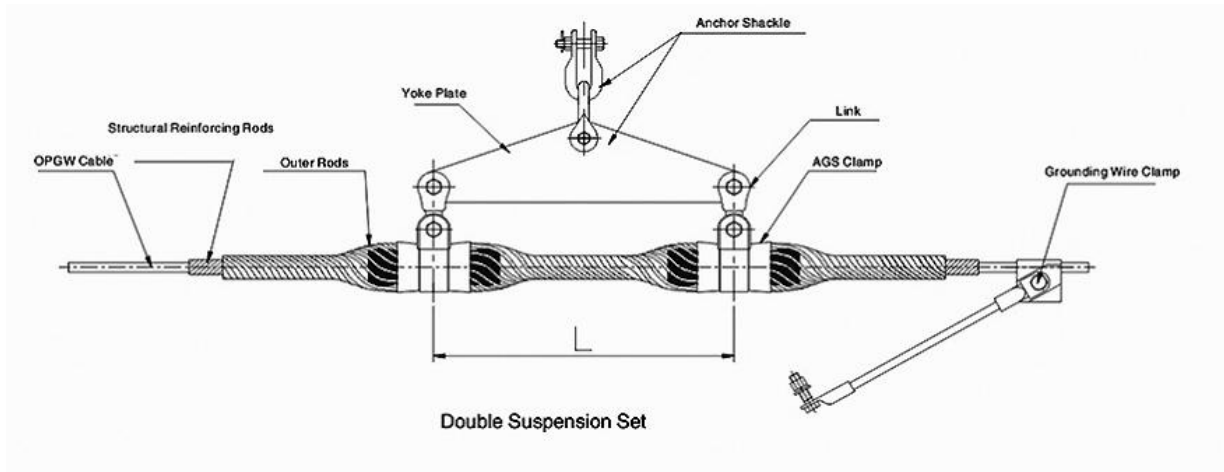
Preformed/Helical suspension clamp for OPGW will disperse the stress of suspension point to the whole length of helical armor rods; effectively reduce static pressure and dynamic stress caused by Aeolian vibration; to protect OPGW cable from the damage caused by above mentioned factors, greatly improve fatigue resistance of the cable, and extend the service life of OPGW cable.

OPGW preformed/helical suspension clamp set is divided into two types in according to span length, fall head and tensile strength of the electrical power line, including Double layers with single suspension point OPGW Suspension Set (abbreviation is Single Suspension Clamp Set) and Double layers with dual suspension point OPGW Suspension Clamp Set (abbreviation is Double Suspension Set).

OPGW Single Suspension Clamp



OPGW Double Suspension Clamp



Parameter

OPGW Single Suspension Clamp

Type	Available Dia.of Cable		RTS of cable (kN)
	Min. (mm)	Max.(mm)	
OCL 060/0870	8.1	8.7	60
OCL 060/0940	8.8	9.4	60
OCL 060/1010	9.5	10.1	60
OCL 060/1080	10.2	10.8	60
OCL 060/1150	10.9	11.5	60

OCL 060/1220	11.6	12.2	60
OCL 060/1290	12.3	12.9	60
OCL 060/1360	13	13.6	60
OCL 080/0870	8.1	8.7	80
OCL 080/0940	8.8	9.4	80
OCL 080/1010	9.5	10.1	80
OCL 080/1080	10.2	10.8	80
OCL 080/1150	10.9	11.5	80
OCL 080/1220	11.6	12.2	80
OCL 080/1290	12.3	12.9	80
OCL 080/1360	13	13.6	80
OCL 080/1430	13.7	14.3	80
OCL100/1080	10.2	10.8	100
OCL 100/1150	10.9	11.5	100
OCL 100/1220	11.6	12.2	100
OCL100/1290	12.3	12.9	100
OCL 100/1360	13	13.6	100
OCL100/1430	13.7	14.3	100
OCL 100/1500	14.4	15	100
OCL100/1570	15.1	15.7	100
OCL 120/1220	11.6	12.2	120
OCL120/1290	12.3	12.9	120
OCL 120/1360	13	13.6	120
OCL 120/1430	13.7	14.3	120
OCL 120/1500	14.4	15	120
OCL 120/1570	15.1	15.7	120
OCL 120/1640	15.8	16.4	120
OCL 140/1500	14.4	15	140
OCL 140/1570	15.1	15.7	140
OCL140/1640	15.8	16.4	140
OCL 140/1710	16.5	17.1	140
OCL140/1780	17.2	17.8	140
OCL 140/1850	17.9	18.5	140

OPGW Double Suspension Clamp

Type	Available Dia. of Cable	
	Min.(mm)	Max.(mm)
OCLS 0940	8.8	9.4
OCLS 1010	9.5	10.1
OCLS 1080	10.2	10.8
OCLS 1150	10.9	11.5
OCLS 1220	11.6	12.2
OCLS 1290	12.3	12.9
OCLS 1360	13	13.6
OCLS 1430	13.7	14.3
OCLS 1500	14.4	15
OCLS 1570	15.1	15.7
OCLS 1640	15.8	16.4
OCLS 1710	16.5	17.1
OCLS 1780	17.2	17.8
OCLS 1850	17.9	18.5

The symbols of "OCLS" are: O-apply to OPGW cable, C-suspension set, L-helical rods, S-double suspension set

Remarks: under exceptional circumstances, please contact us freely, we will provide special design and consultation service in according to the specific circumstances.